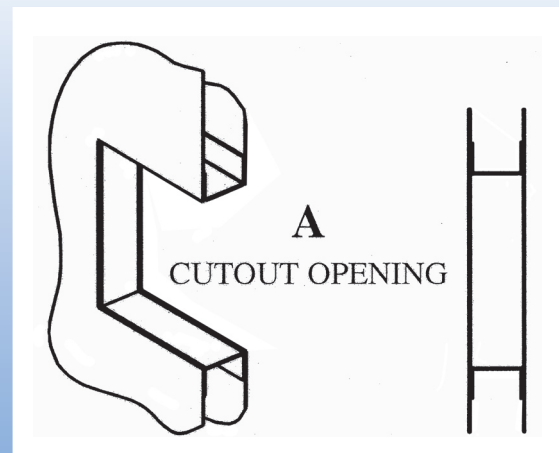


# Glazing Trim

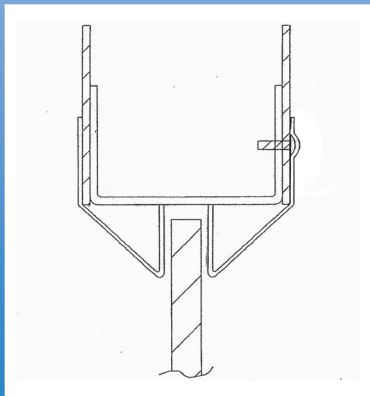
Stainless Doors, Inc. manufactures product with the quality expected by our customers. To accommodate varied applications, we offer several options for glazing, styles of glazing trim, and louvers. Each style is unique for a contemporary or elegant appearance that will best enhance your application. Additionally, Stainless Doors, Inc. offers design assistance to help you achieve your desired results. This is all part of *"The Stainless Advantage."*

## STANDARD MANUFACTURING CONSTRUCTION DETAILS

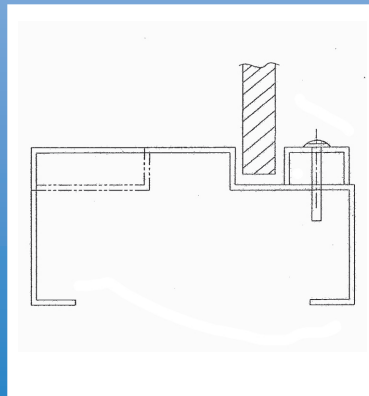
- Opening Support Channel 18 gauge
- 18 gauge Stainless Steel Channel Stops
- Type 304
- Type 316
- Finish #4 Satin
- Vertical Grain
- Glazing Thickness from 1/4" to 1"
- Removable Trim Frames with Square Corners  
Mitered and Tacked
- Truss Head Mounting Screws Supplied



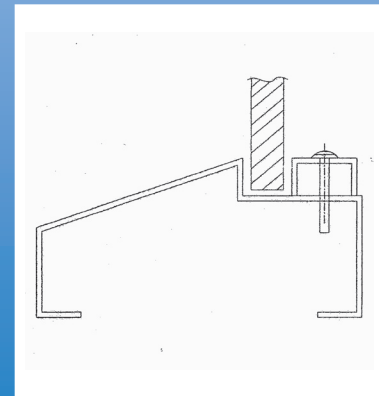
**Sloped Door Trim**



**Glazing Stops**



**Glazing Stops**



Order by viewable glazing width, height and thickness.



1075 Hialeah Drive • Hialeah, FL 33010-5551 • [www.stainlessdoors.com](http://www.stainlessdoors.com)

Phone: (305) 887-3667 • Toll Free (888) 605-DOOR • Fax: (305) 882-8600 • Toll Free Fax: (888) 605-3539