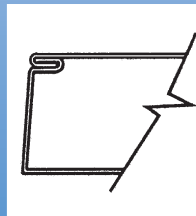
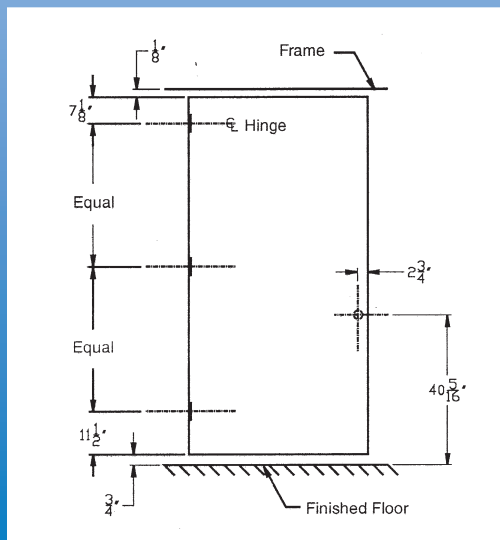
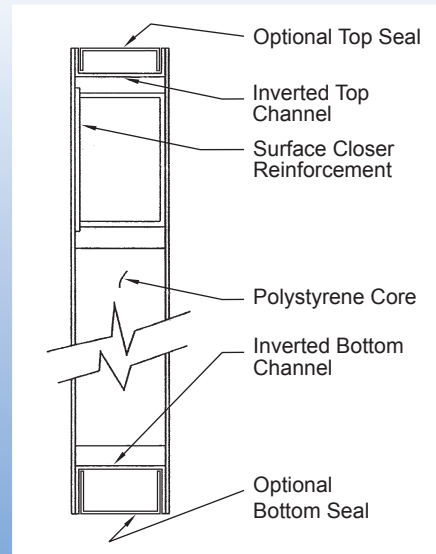


Seamed Doors

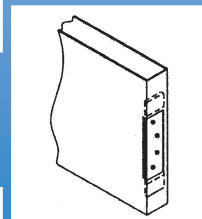
Stainless Doors, Inc. offers the architectural building industry the design ingenuity and quality of the unsurpassed beauty and life of stainless steel for our products. As a manufacturer of custom products, we understand the challenges of fabricating uniquely designed doors and systems. Our capabilities allow us to provide products of virtually all shapes sizes, finishes, and hardware combinations to meet our customers' most demanding specifications and functional criteria. Whether standard or custom features, our doors are manufactured to strict industry standards while intrinsically creating . . . "The Stainless Advantage."

STANDARD MANUFACTURING CONSTRUCTION DETAILS

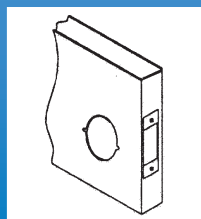
- Flush Door
- 18 gauge Stainless Steel
- Type 304
- Type 316
- Finish #4 Satin
- Vertical Grain
- Edge Seam (lockseam)
- Polystyrene Core
- Hinge Reinforcements 3/16" by 1 1/4" by 10" long for 4 1/2" Standard Weight Hinges
- Lock Reinforcement Box - 14 gauge with Tabs
- Inverted Top and Bottom Channels - 18 gauge
- Surface Applied Closer Reinforcement - 12 gauge
- Prepared for ANSI 161 Cylinder Lock



4 Material Interlocking Edge Vertical Seam on Hinge and Strike Edges



Prepared for 4 1/2" Standard Weight Hinges



Prepared for ANSI 161 Cylinder Lock



1075 Hialeah Drive • Hialeah, FL 33010-5551 • www.stainlessdoors.com

Phone: (305) 887-3667 • Toll Free (888) 605-DOOR • Fax: (305) 882-8600 • Toll Free Fax: (888) 605-3539