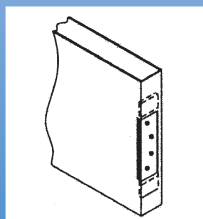
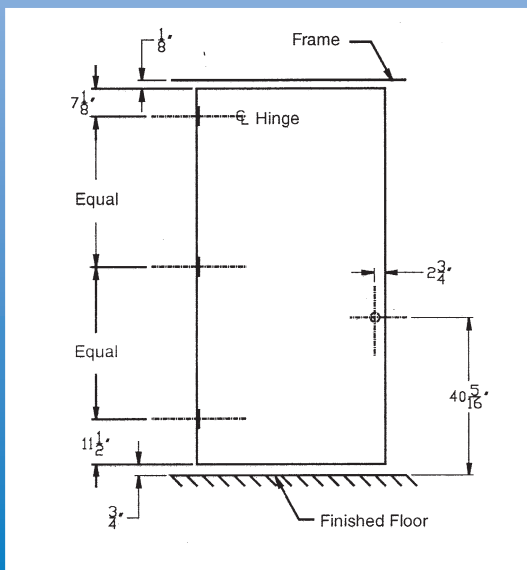
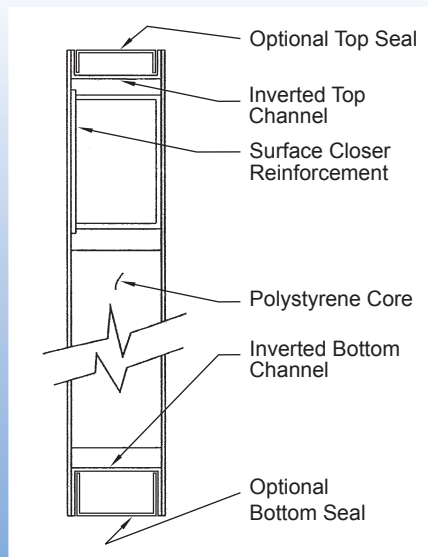


Seamless Doors

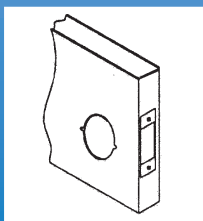
Stainless Doors, Inc. offers the architectural building industry a variety of products to accommodate specific design criteria. Our fully-welded seamless edge doors are designed and manufactured to withstand the rigors of extreme, heavy use and meet stringent hygiene standards. These seamless doors are welded the full length of both edges, then ground and polished, resulting in a continuous face and edge skin . . . encompassing the *entire door* . . . creating “*The Stainless Advantage.*”

STANDARD MANUFACTURING CONSTRUCTION DETAILS

- Flush Door
- 16 gauge Stainless Steel
- Type 304
- Type 316
- Finish #4 Satin
- Vertical Grain
- NO Edge Seam (seamless edge)
- Polystyrene Core
- Hinge Reinforcements 3/16" by 1 1/4" by 10" long for 4 1/2" Standard Weight Hinges
- Lock Reinforcement Box - 14 gauge with Tabs
- Inverted Top and Bottom Channels - 18 gauge
- Surface Applied Closer Reinforcement - 12 gauge
- Prepared for ANSI 161 Cylinder Lock



Prepared for 4 1/2" Standard Weight Hinges



Prepared for ANSI 161 Cylinder Lock



1075 Hialeah Drive • Hialeah, FL 33010-5551 • www.stainlessdoors.com

Phone: (305) 887-3667 • Toll Free (888) 605-DOOR • Fax: (305) 882-8600 • Toll Free Fax: (888) 605-3539