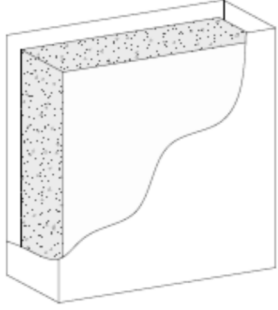


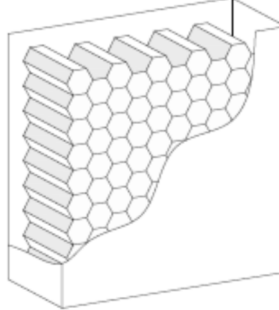
Door Cores

Polystyrene U-Factor = .13
R-Factor = 7.7



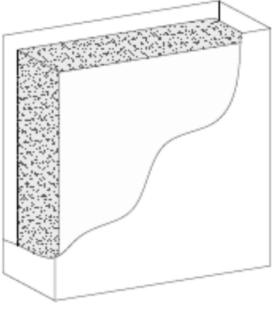
Standard Interior or Exterior

Honeycomb U-Factor = .42
R-Factor = 2.4



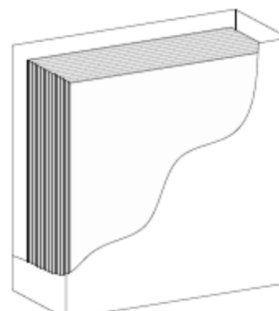
Interior Use

Polyurethane U-Factor = .08
R-Factor = 12.0

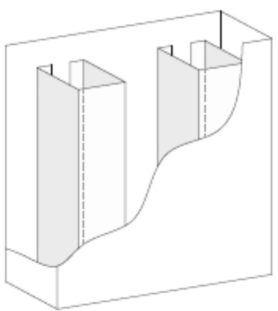


Extreme Heat or Arctic Conditions

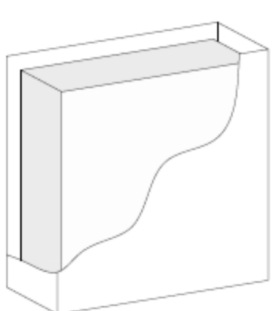
Mineral Wool U-Factor = .55
R-Factor = 1.8



Steel Stiffened U & R Factors depend upon insulation, mineral wool, polystyrene or polyurethane



Pyrophobic 250 Degree and 450 Degree Temperature Rise Core



>>All specifications are subject to change without notice<<

