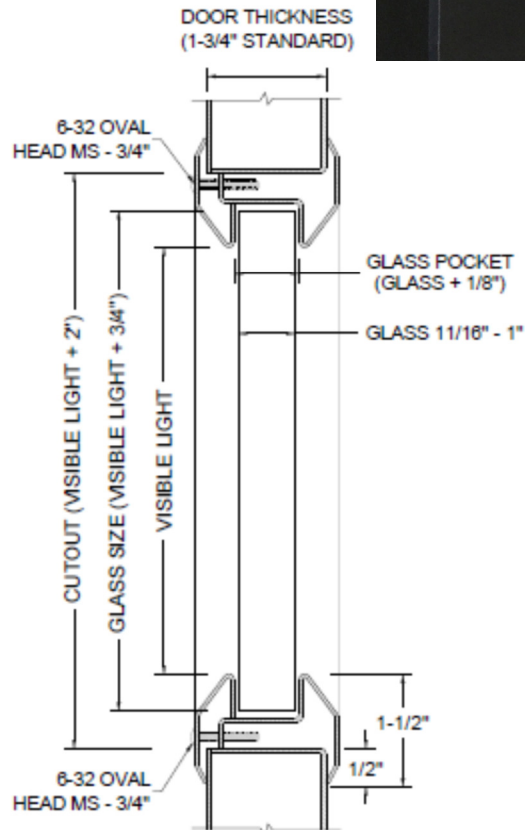
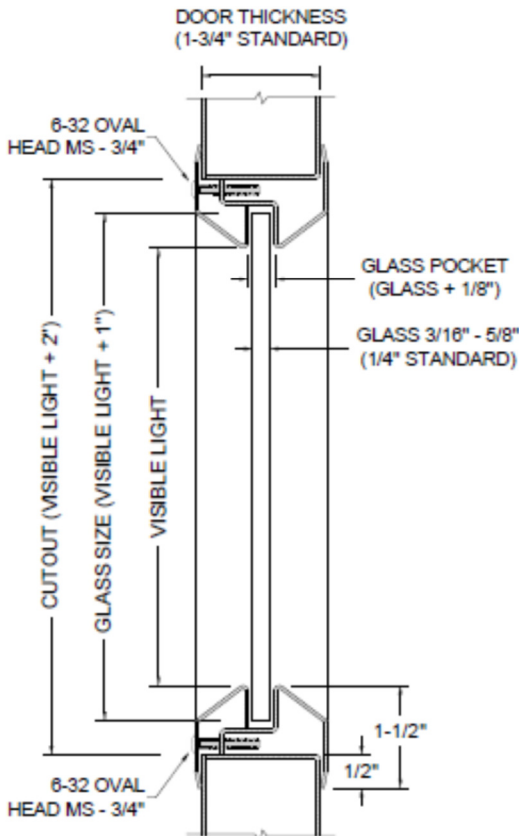


Glazing Trims

STANDARD MANUFACTURING CONSTRUCTION DETAILS

- Standard Vision Kit
- 18 gauge Stainless Steel
- Alloy 304, 304L, 316, 316L
- Finish #4 Satin (*standard)



>>All specifications are subject to change without notice<<

