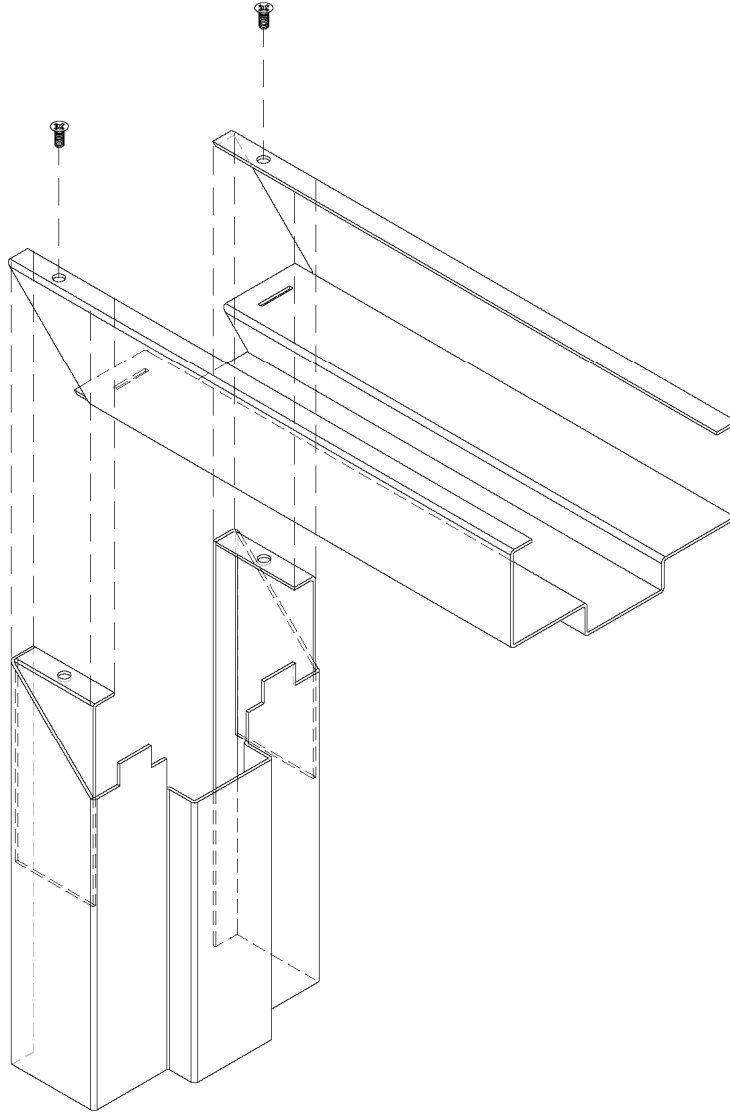


Knock-Down (Assembly)

STANDARD MANUFACTURING CONSTRUCTION DETAILS

- Knock-Down Frame Construction
- 16, 14, 12 or 10 gauge Stainless Steel
- Alloy 304, 304L, 316, 316L
- Finish #4 Satin (*standard)
- Grain Long Direction



>>All specifications are subject to change without notice<<

