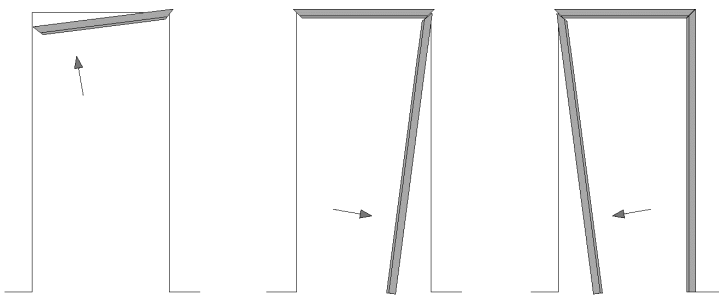
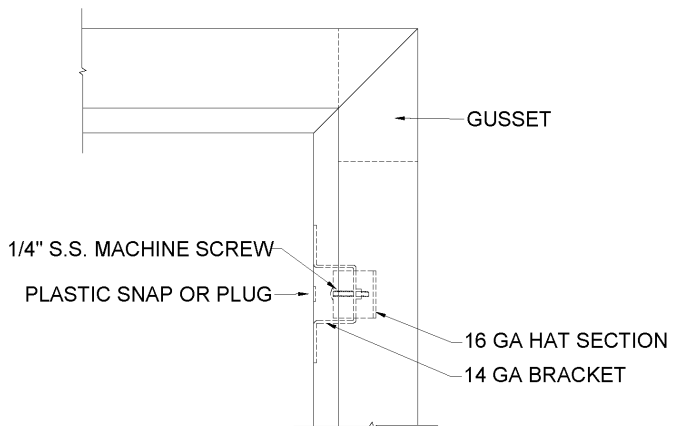
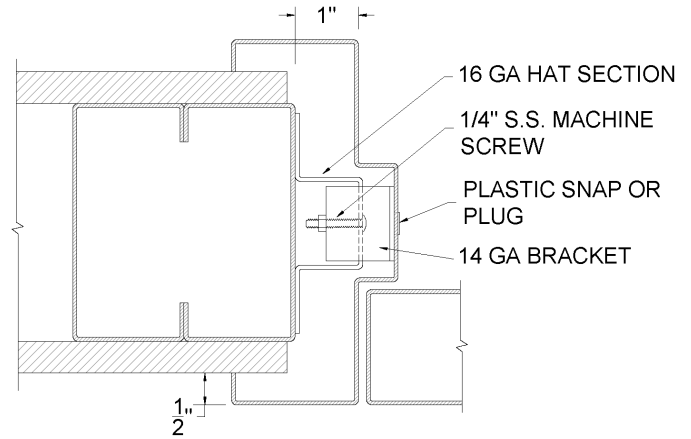
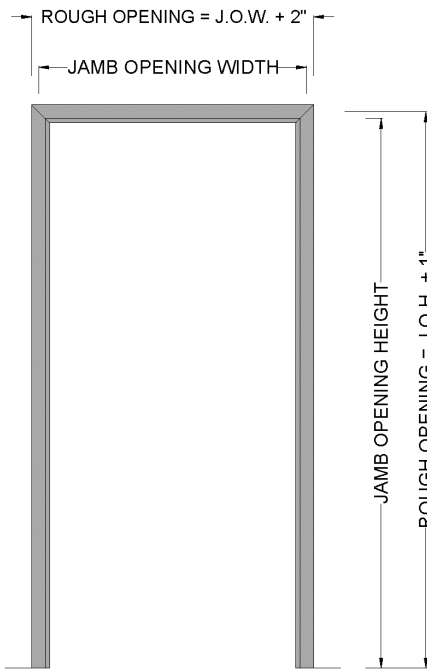


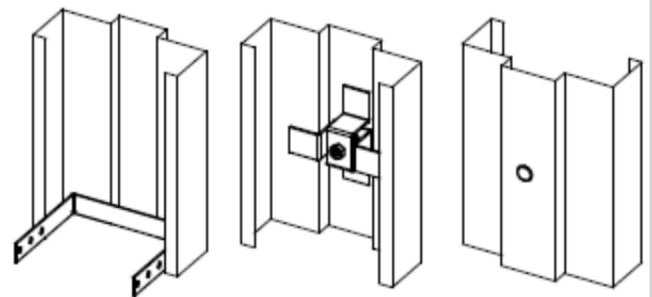
Knock-Down (Compression Anchors)

KNOCK - DOWN (COMPRESSION ANCHORS)

- Knock-Down Frame Construction
- 16 gauge Stainless Steel
- Alloy 304, 304L, 316, 316L
- Finish #4 Satin (*standard)
- Grain Long Direction



Installation Sequence



>>All specifications are subject to change without notice<<

