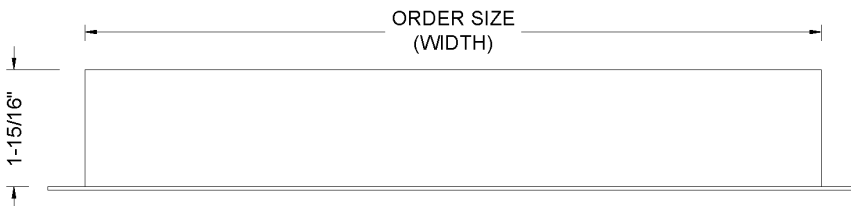
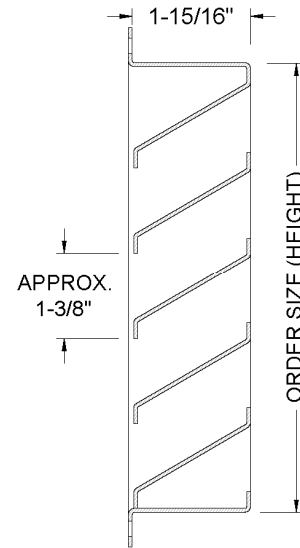
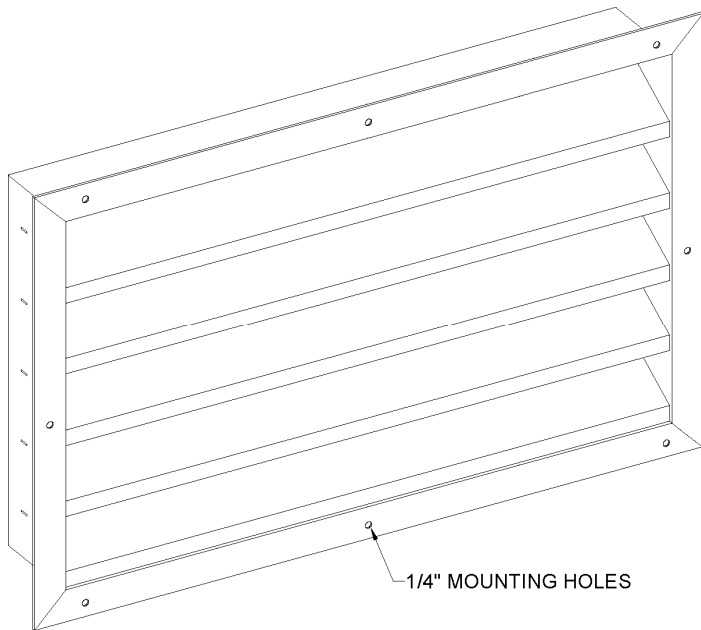


Wall Louver

STANDARD MANUFACTURING CONSTRUCTION DETAILS

- Fixed Blade Louver
- 18 gauge Stainless Steel (*standard)
- Alloy 304, 304L, 316, 316L
- Finish #4 Satin (standard)
- Grain Long Direction
- Non-Rated

**Consult with Factory
for Other Applications*



>>All specifications are subject to change without notice<<

